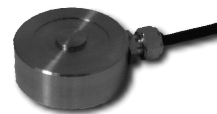


# Specification

Standard Ranges	0 to 250N, 500N, 1kN, 2.5kN, 5.0kN, 10.0kN, 20.0kN
Excitation Voltage	10V (normal)
Sensitivity	2.0 mV/V (nominal)
Non-Linearity	0.29% of F.R.O or Better
Hysteresis	0.29% of F.R.O or Better
Zero Balance	0.5% of F.R.O or Better
Bridge Resistance	350 Ohm Bridge (4 Gauge Bridge)
Over Load Characteristics	125% Safe Overload 150% Ultimate Overload
Insulation Resistance	> 2000M Ohm
Storage Temp	-40 to +70 Degrees C
Operating Temp	-20 to +70 Degrees C
Compensated Temp	+20 to +50 Degrees C
Electrical Connections	Integral Screened Cable (Standard) (modified lengths on request)
Thermal Sensitivity	0.010% of F.R.O/Degrees C or better

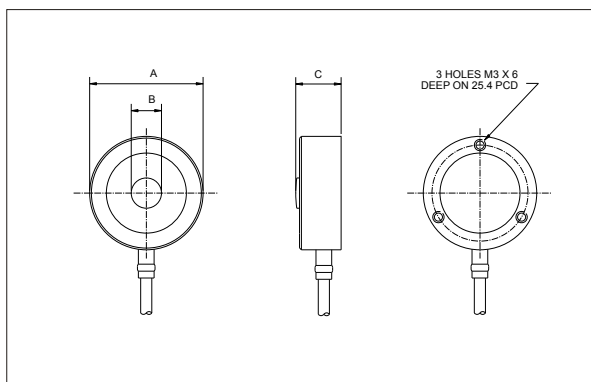
# 410 Series Miniature Button Richmond Industries



# Options

- ▶ UKAS Calibration
- ▶ Modified Cable Lengths

# Installation



# Electrical Connections

- Red - Excitation +V
  - Blue - Excitation -V
  - Green - Output +V
  - Yellow - Output -V
- (Output in Compression)

# Accessories

- ▶ Load Pad

# Data

Capacity	A	B	C	Weight
0 to All Capacities	30.0	8.0	12.0	100g

# Ordering Information

### When Ordering Please Specify :-

Transducer Type, Load Range and Termination.

le - Load Cell Type 700, 5kN, 2m Cable.

Note: Specifications subject to change as a result of the policy of continued development.

- ▶ All dimensions in mm
- ▶ FRO - Full Rated Output

# Contact Information

▶ **Technical Support**  
**01189 310 396**

▶ **Sales Enquiries**  
**07000 1234 123**



# Richmond Industries Ltd

Unit B9 - Acre Business Park - Reading - RG2 0SA - Telephone 01189 310 396 - Facsimile 01189 310 397